

CDU-L

R06A2C or C6L
400V - Three Phase



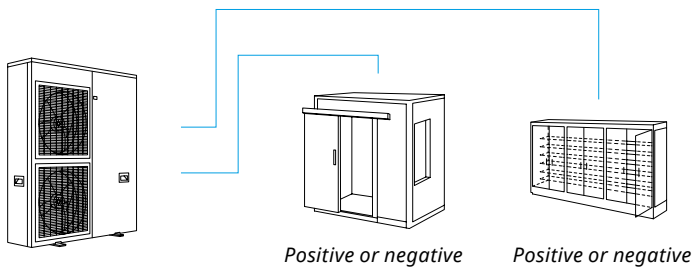
Evaporating temperature	-35 °C	-30 °C	-10 °C	-5 °C	0 °C	+5 °C
Maximum cooling capacity (ambient T° +32°C)	3.95 kW	5.05 kW	9.67 kW	11.15 kW	11.66 kW	12.33 kW
<i>PER LOOP</i>	<i>1.98 kW</i>	<i>2.53 kW</i>	<i>4.84 kW</i>	<i>5.58 kW</i>	<i>5.83 kW</i>	<i>6.17 kW</i>
Electric power input	4.02 kW	5.05 kW	5.87 kW	5.88 kW	5.91 kW	6.08 kW
Minimum cooling capacity (ambient T° +32°C)	1.64 kW	1.83 kW	3.99 kW	4.23 kW	4.5 kW	4.96 kW
<i>PER LOOP</i>	<i>0.82 kW</i>	<i>0.91kW</i>	<i>1.99 kW</i>	<i>2.11 kW</i>	<i>2.25 kW</i>	<i>2.48 kW</i>
Operation temperature	Evaporating (Min/Max)		-35 ~ +5 °C			
	Ambient (Min/Max)		-25 ~ +43 °C			
Dimensions*	Height x Width x Depth		1300 x 1105 x 285 mm			
Weight	141 kg					
Noise pressure level ⁽¹⁾	1 meter away		53 dB(A)			
Compressor	Type		Scroll inverter			
	Speed		30 ~ 80 Hz			
Heat Exchanger	Type		Aluminium microchannel			
Refrigerant	Type / GWP		R744 CO ₂ / 1			
Power supply	Phases /Voltage/ Frequency		Three phase / 400 / 50 or 60 (-/V/Hz)			
Communication	Standard		Modbus			
PED	Category		1			
Maximum working pressure (MWP)	High pressure side		14 MPa			
	Low pressure side		9 MPa			

⁽¹⁾ Conditions : T° Ambient +32°C, Compressor Speed 70 Hz * without pipe cover

✓ Main Benefits

- ✓ First 100% CO2 refrigerant solution for convenient stores and small cooling capacities
- ✓ Extremely compact
- ✓ Very silent operation
- ✓ Very low refrigerant charge, absolutely neutral impact on the environment
- ✓ Modular, flexible and easy installation

Single Evaporator installation



- ✓ Two temperatures available
- ✓ Positive and negative on the same unit
- ✓ Not additional expansion valve

Evaporating temperature range

-35°C ~ +5°C

Negative (ambient temperature: +32°C)

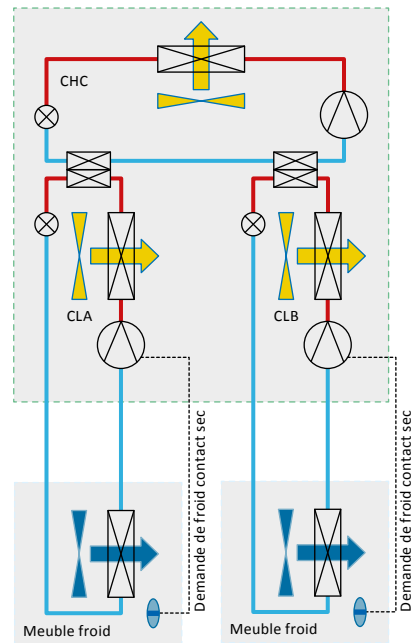
1980W per loop at -35°C

3950W cumulated

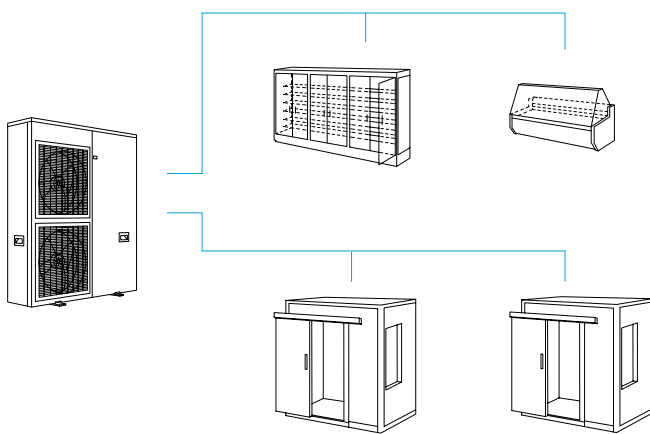
Positive

5580W per loop at -5°C

11150W cumulated at -5°C



Multi-evaporator installation



- ✓ Two temperatures available
- ✓ Positive and negative on the same unit

Evaporating temperature range

-35°C ~ +5°C

Negative (ambient temperature: +32°C)

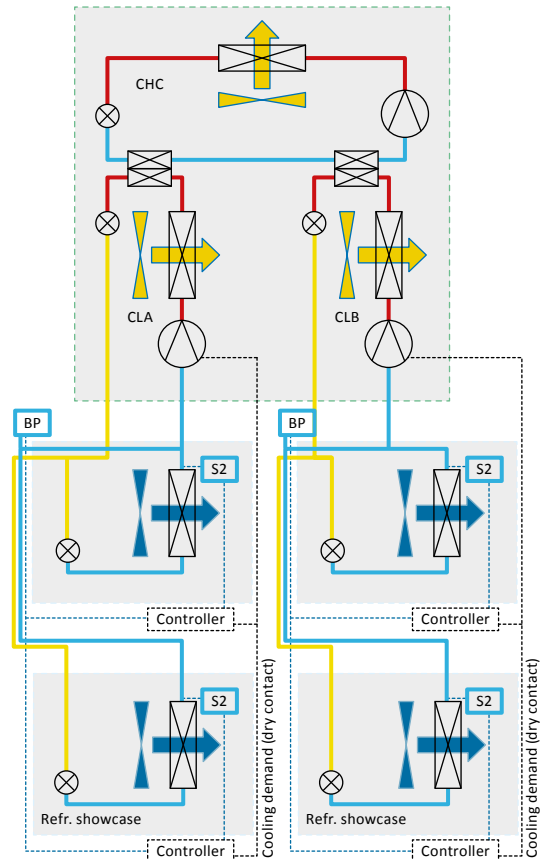
1980W per loop at -35°C

3950W cumulated

Positive

5580W per loop at -5°C

11150W cumulated at -5°C



* For more than 2 evaporators, please consult SandenVendo

